

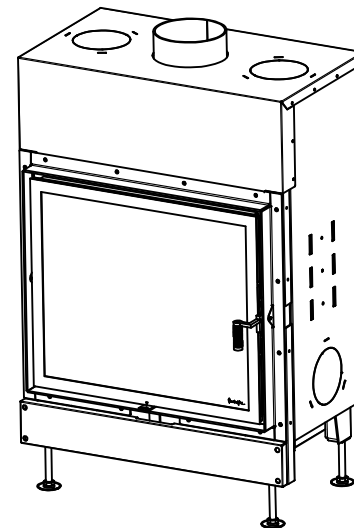
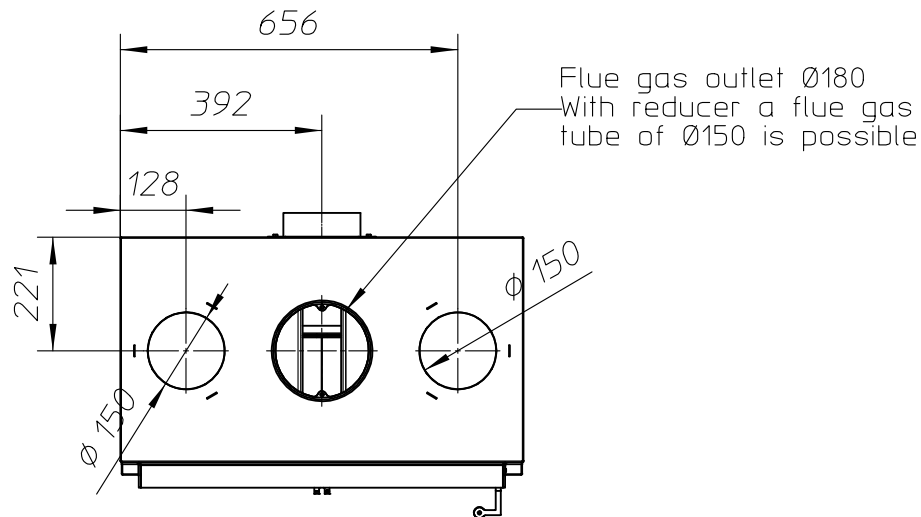
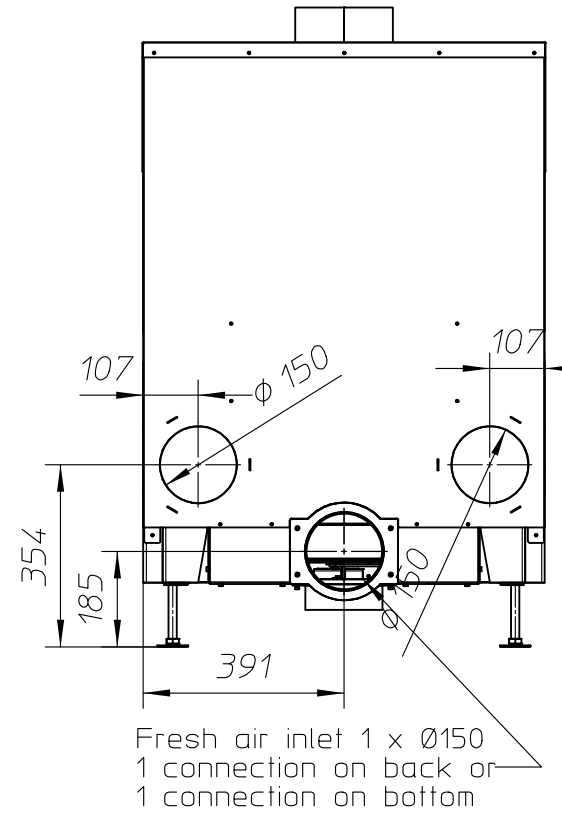
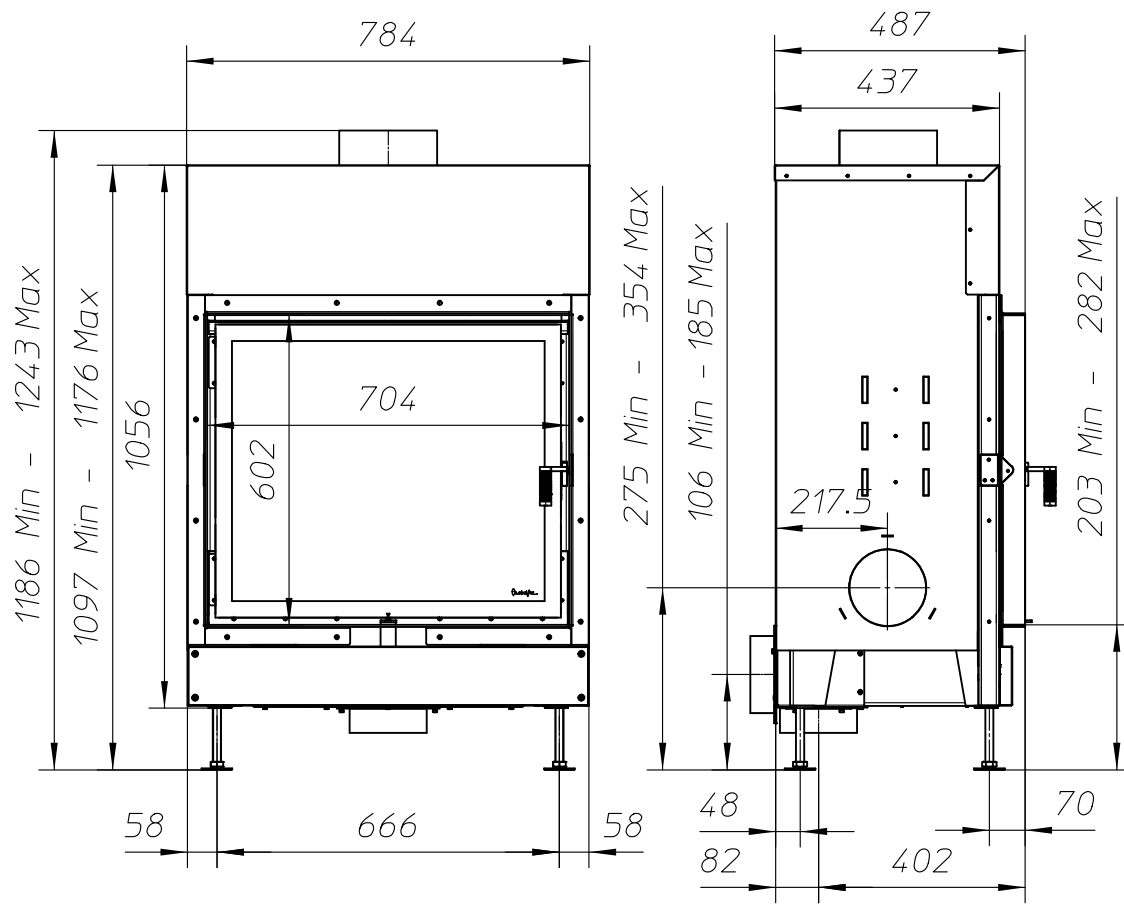
### OPTIMUM MF 700-60 WHE 1S C

#### Dimensions (mm)

- combustion opening WxH: 704 x 602
- external WxDxH: 784 x 487 x 1243
- fresh air intake: 1 x Ø150
- flue gas outlet: Ø180 (Ø150)

#### Technical Data

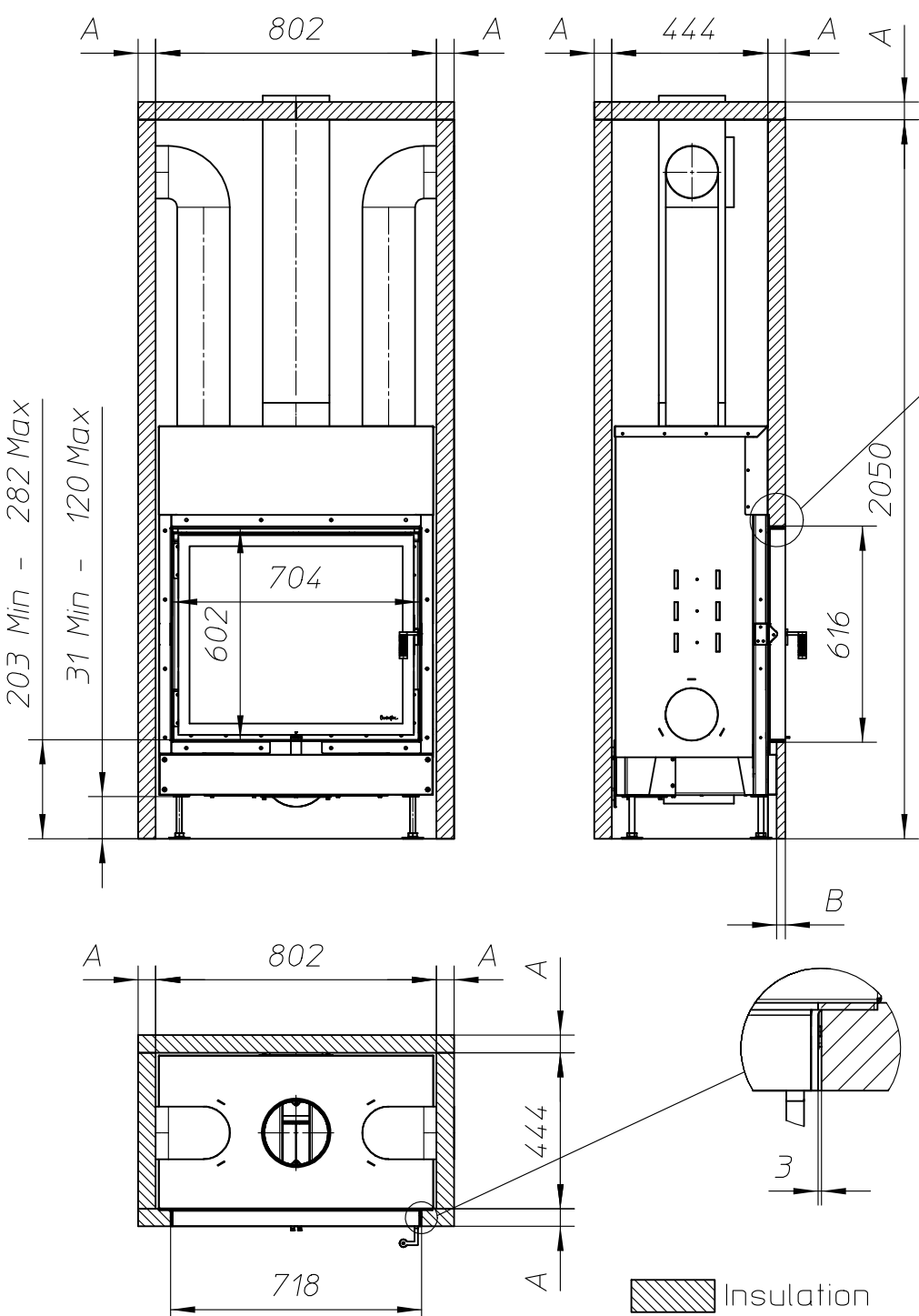
- ecolabel: A+
- capacity: 9.6kW
- efficiency: 84%
- CO (volume with 13%O<sub>2</sub>): 0.06%
- dust (volume with 13%O<sub>2</sub>): 20mg/Nm<sup>3</sup>
- weight: 160kg
- convection air inlet: min.350cm<sup>2</sup> (2 x Ø150)
- convection air outlet: min.350cm<sup>2</sup> (2 x Ø150)



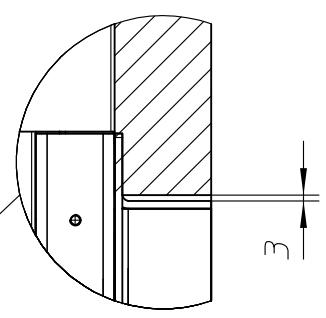
First aid and technical support:

- support@metalfire.eu
- +32 9 261 51 90

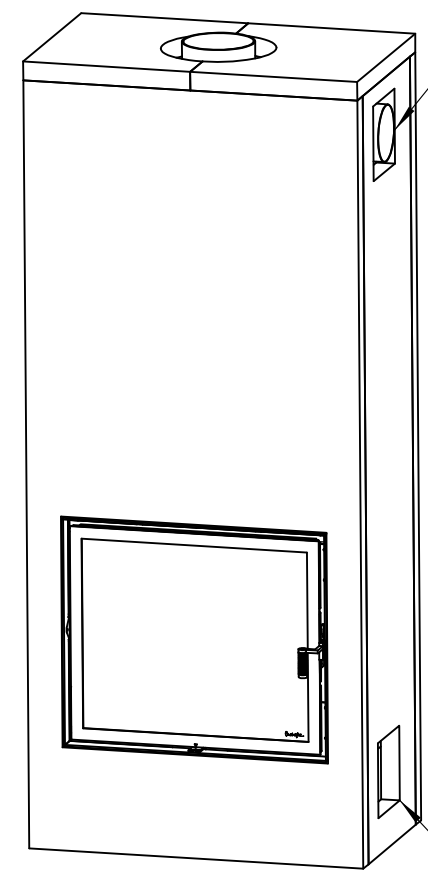
|  |           |
|--|-----------|
| scale 1:20   | Rev. D    |
| www.metalfire.eu EN 13229  | CE        |
| General dimensional tolerances up to 6mm<br>Metalfire preserves the right to modify specifications without previous notice | Sheet 1/3 |



WITHOUT FINISHING FRAME



Convection air outlet



Convection air inlet

# OPTIMUM Convection

*Metalfire*

## Technical Document

Optimum MF 700-60 WHE 1S C

Prescribed insulation thickness (mm) to

Combustable finishing material

Metalfire recommended  
SILCA T 300  
(TC = 0,09 W/mK)

A = 50mm  
B = 25mm

Non-combustable finishing material

non-combustable  
materials  
structural building items  
EXCLUDED e.g. load bearing walls

A = 0mm  
B = 0mm

TC = thermal conductivity NC = non-combustable

First aid and technical support:

- support@metalfire.eu
- +32 9 261 51 90

scale 1:20

Rev.  
D

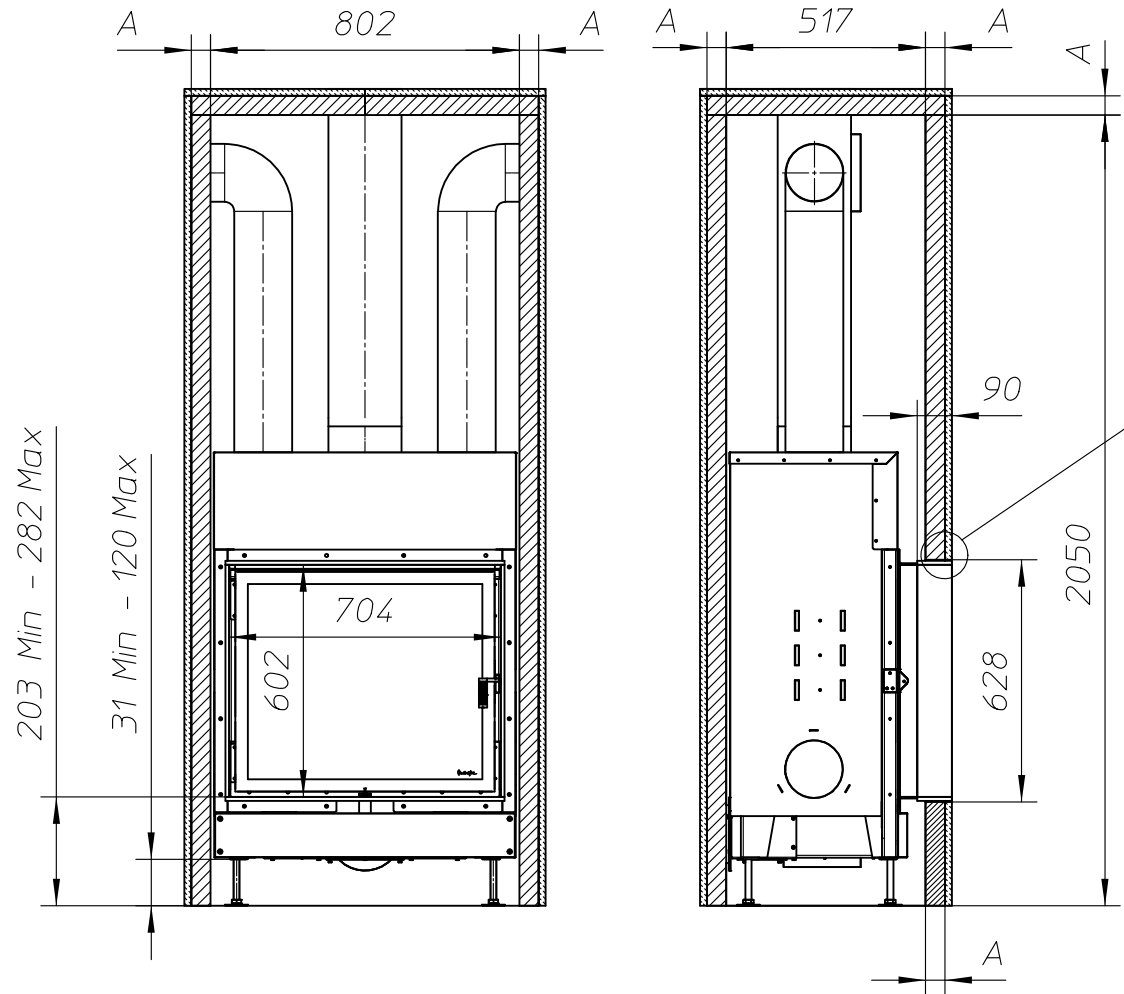
www.metalfire.eu

EN 13229

CE

General dimensional tolerances up to 6mm  
Metalfire preserves the right to modify specifications without previous notice

Sheet  
2/3



WITH FINISHING FRAME 90/10

# OPTIMUM Convection

*Metalfire*

## Technical Document

Optimum MF 700-60 WHE 1S C

Prescribed insulation thickness (mm) to

Combustable finishing material

Metalfire recommended  
SILCA T 300  
(TC = 0,09 W/mK)

A = 50mm

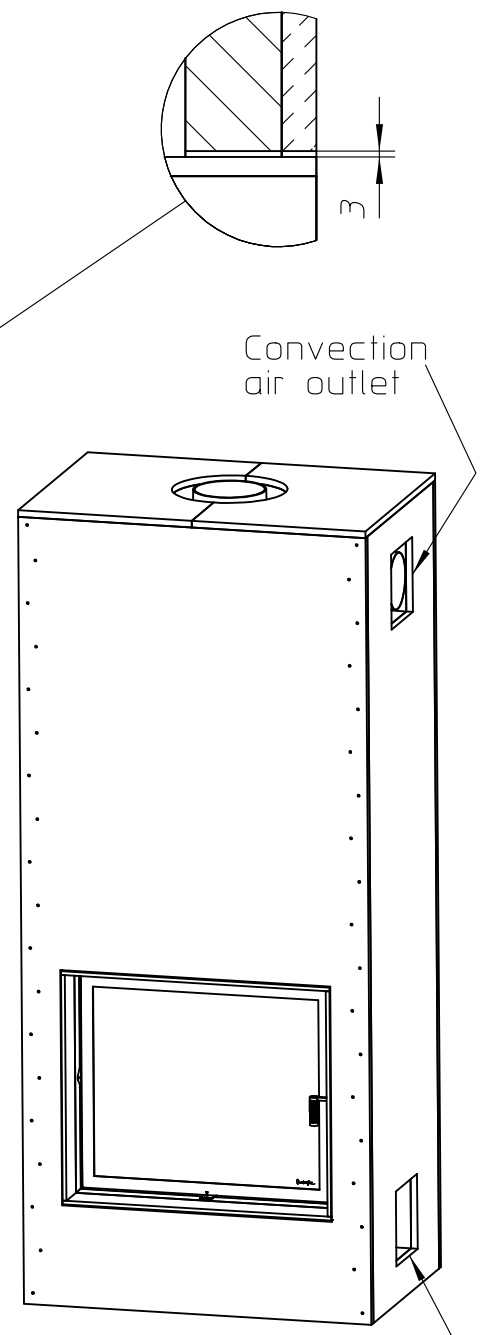
Non-combustable finishing material

non-combustable  
materials  
structural building items  
EXCLUDED e.g. load bearing walls

A = 0mm

TC = thermal conductivity

NC = non-combustable



Convection  
air outlet

Convection  
air inlet

203 Min - 282 Max

31 Min - 120 Max

704

602

90

2050

628

802

A

517

A

730

Insulation

Combustion finish material

First aid and technical support:

- support@metalfire.eu
- +32 9 261 51 90

scale 1:20

www.metalfire.eu

EN 13229

General dimensional tolerances up to 6mm  
Metalfire preserves the right to modify specifications without previous notice

Rev.  
D

CE

Sheet  
3/3