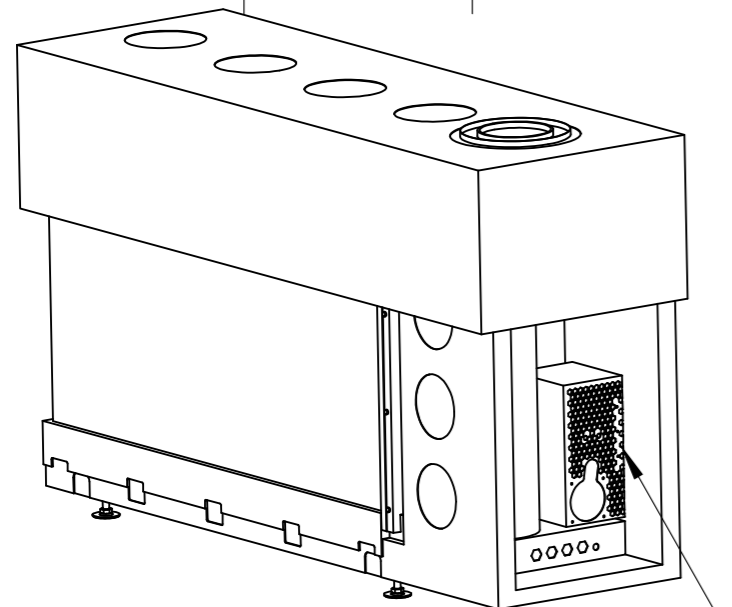
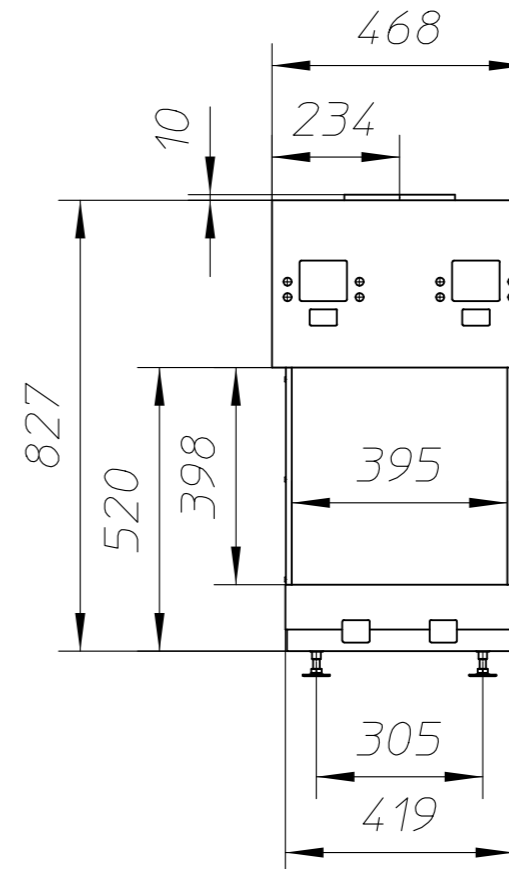
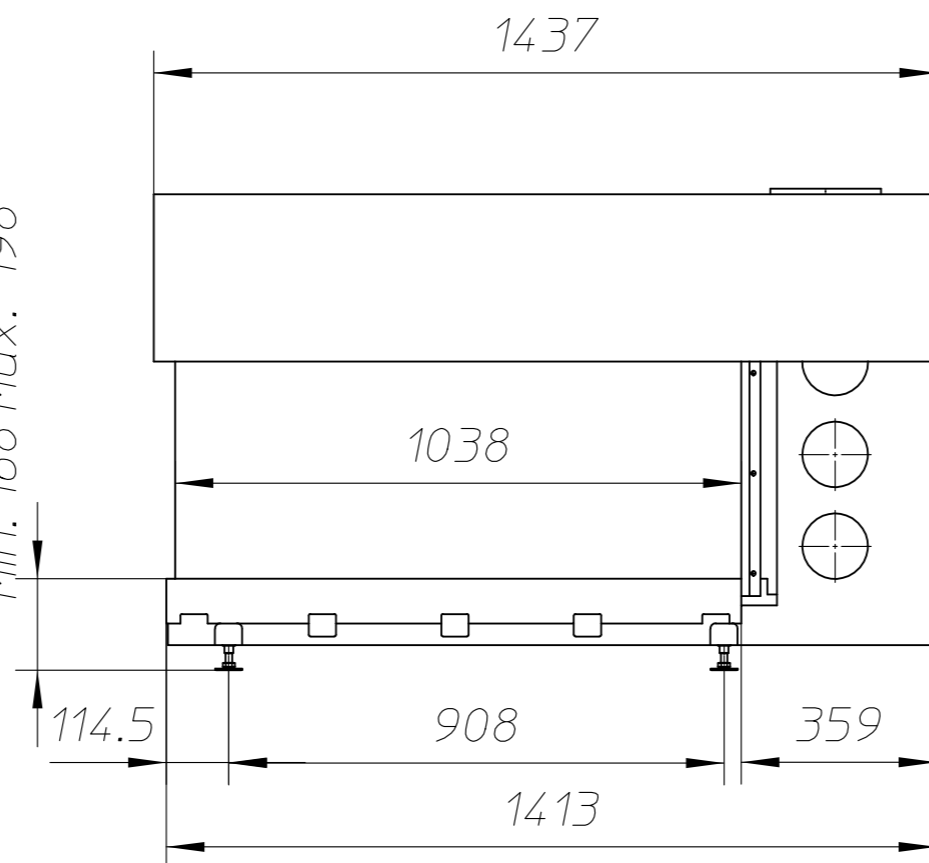
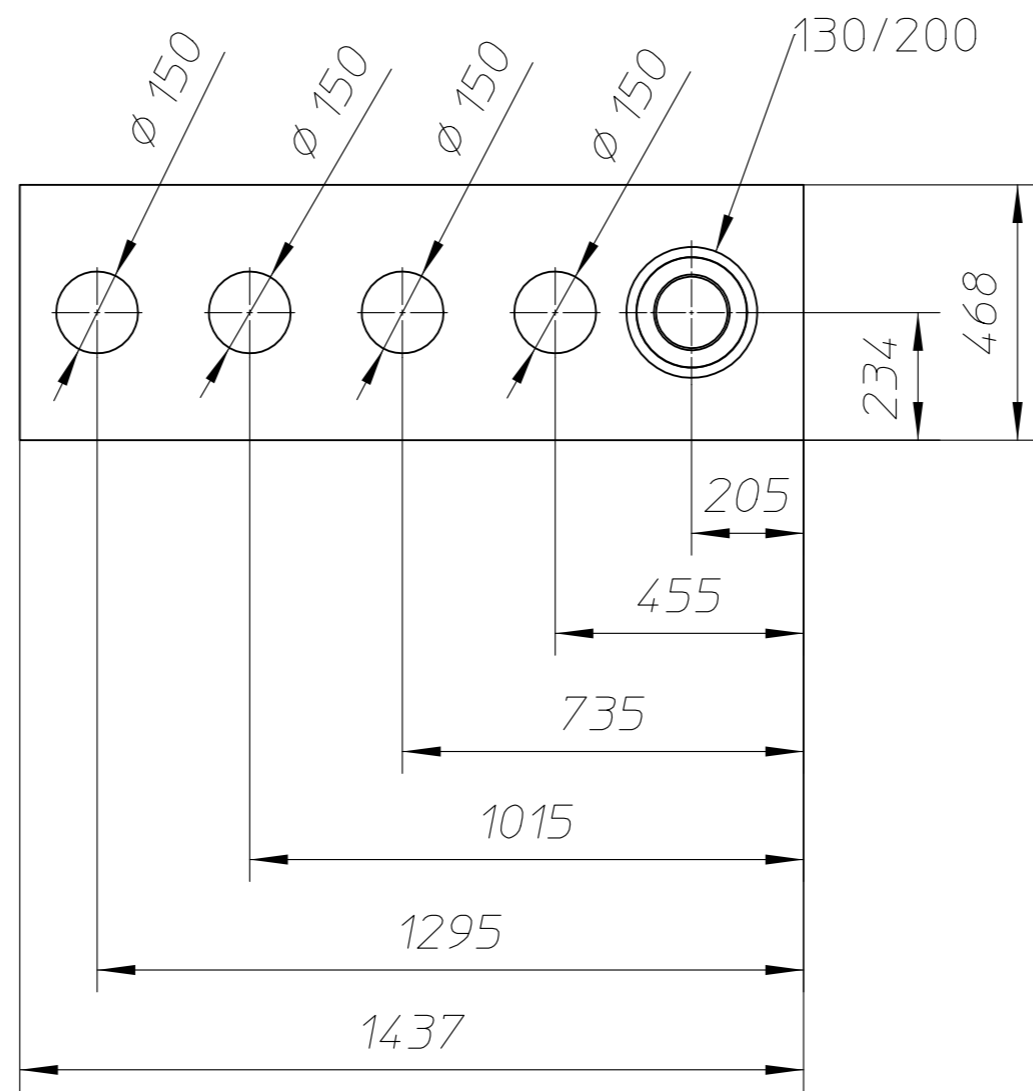
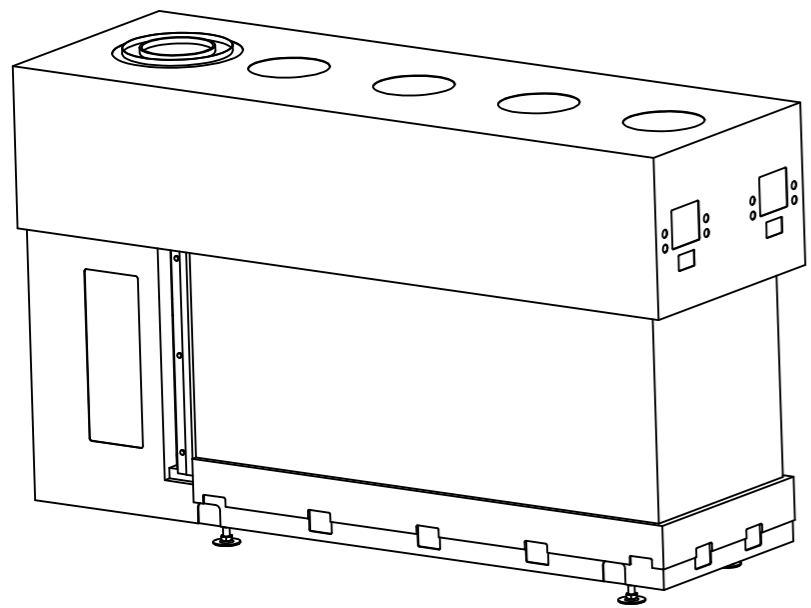


Min. 168 Max. 198



Electronics / control unit fixed on frame
Accessible via liege inside fireplace



AVENUE Patented

metalfire

Technical Document

AVENUE MF 1050-40 GHE 3S EXT

Dimensions (mm)

- combustion opening WxDxH: 1038x395x398
- external WxDxH: 1413x468x883
- diameter flue: $\phi 130/200$ or (*) $\phi 100/150$

TECHNICAL DATA

- Gascat: I2E+, I2E, I2H, I2L, I2ELL
- ECOLABEL: B
- load input: 9,90 kW
- load output: 8,30 kW
- efficiency capacity: 84,0 %
- type of gas/pressure: G20/G25

- Gascat: I3B/P, I3+
- ECOLABEL: B
- load input: 8,60 kW
- load output: 7,40 kW
- efficiency capacity: 86,1 %
- type of gas/pressure: G30/G31

- Appliance type: C11,C31,C91
C12,C32,C42,C52,C82
- Weight: 200 kg
- Convection air inlet: min700cm² (4x $\phi 150$)
- Convection air outlet: min700cm² (4x $\phi 150$)

SPECIFICATIONS

- Available with pebbles: optional ceramics wood logs
- Ionization-protected pilot-flame
- Radiographic remote controle with thermostatic mode
- Inside finishing: heat-resistant black paint
- Gas/electrical connections at the left side (optional right side)

OPTIONS

- interior finishing: ORIGINAL (ribbed cast iron)
- Standard (steel)

First aid and technical support:

- support@metalfire.eu
- +32 (0)9 261 50 57

scale 1:20

www.metalfire.eu

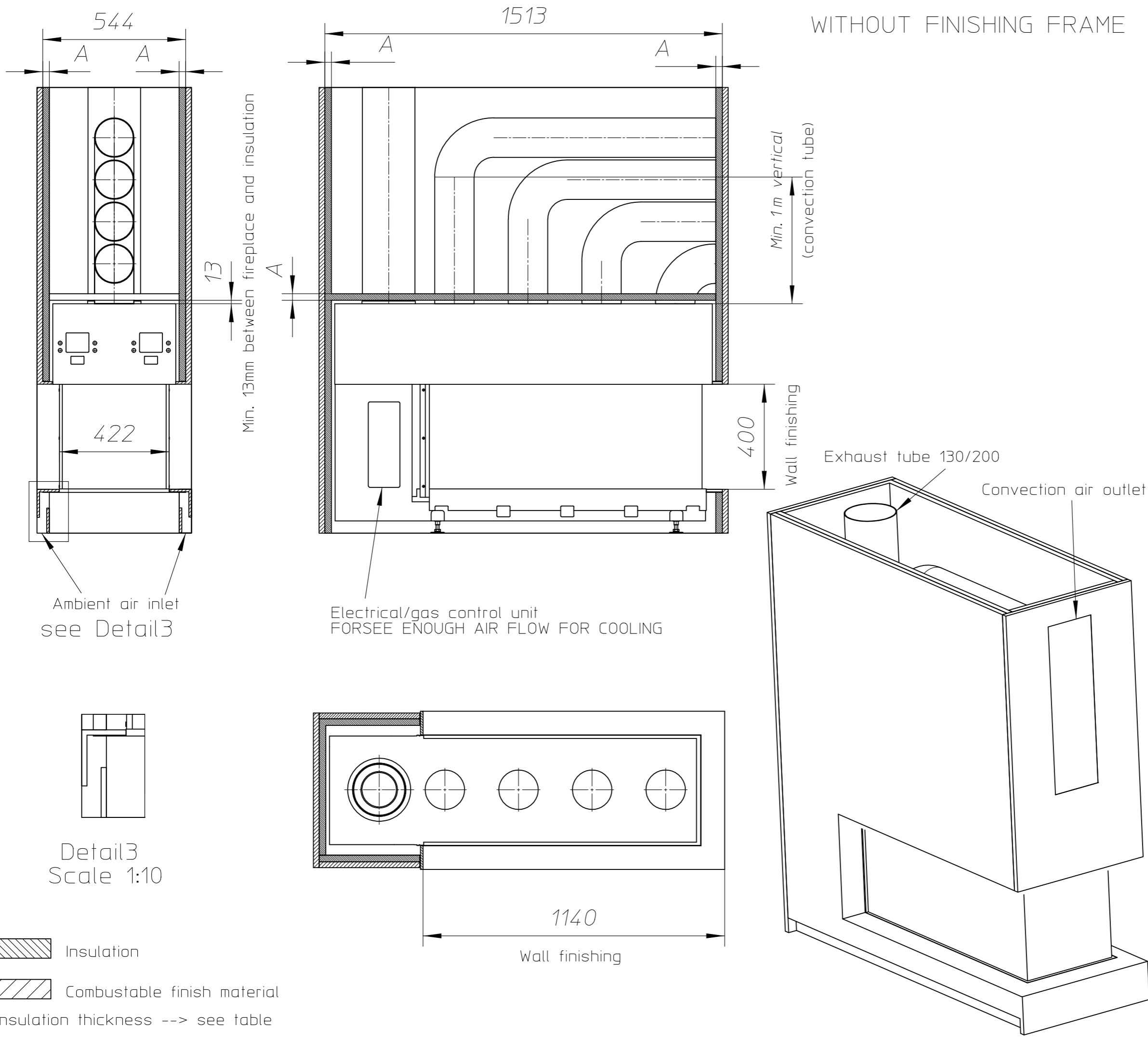
EN 613

General dimensional tolerances up to 6mm
Metalfire preserves the right to modify specifications without previous notice

Rev.
B

CE

Sheet
1/3



AVENUE Patented

metalfire

Technical Document

AVENUE MF 1050-40 GHE 3S EXT

Prescribed insulation thickness (mm)

Combustable finishing material

Metalfire recommended
Promasil 1100L
(TC=0.081 W/mK)

A=25mm

Non-Combustable finishing material

Non-combustable materials
Structural building items
EXCLUDED e.g
load bearing walls

A=0mm

TC=Thermal conductivity

First aid and technical support:
- support@metalfire.eu
- +32 (0)9 261 50 57

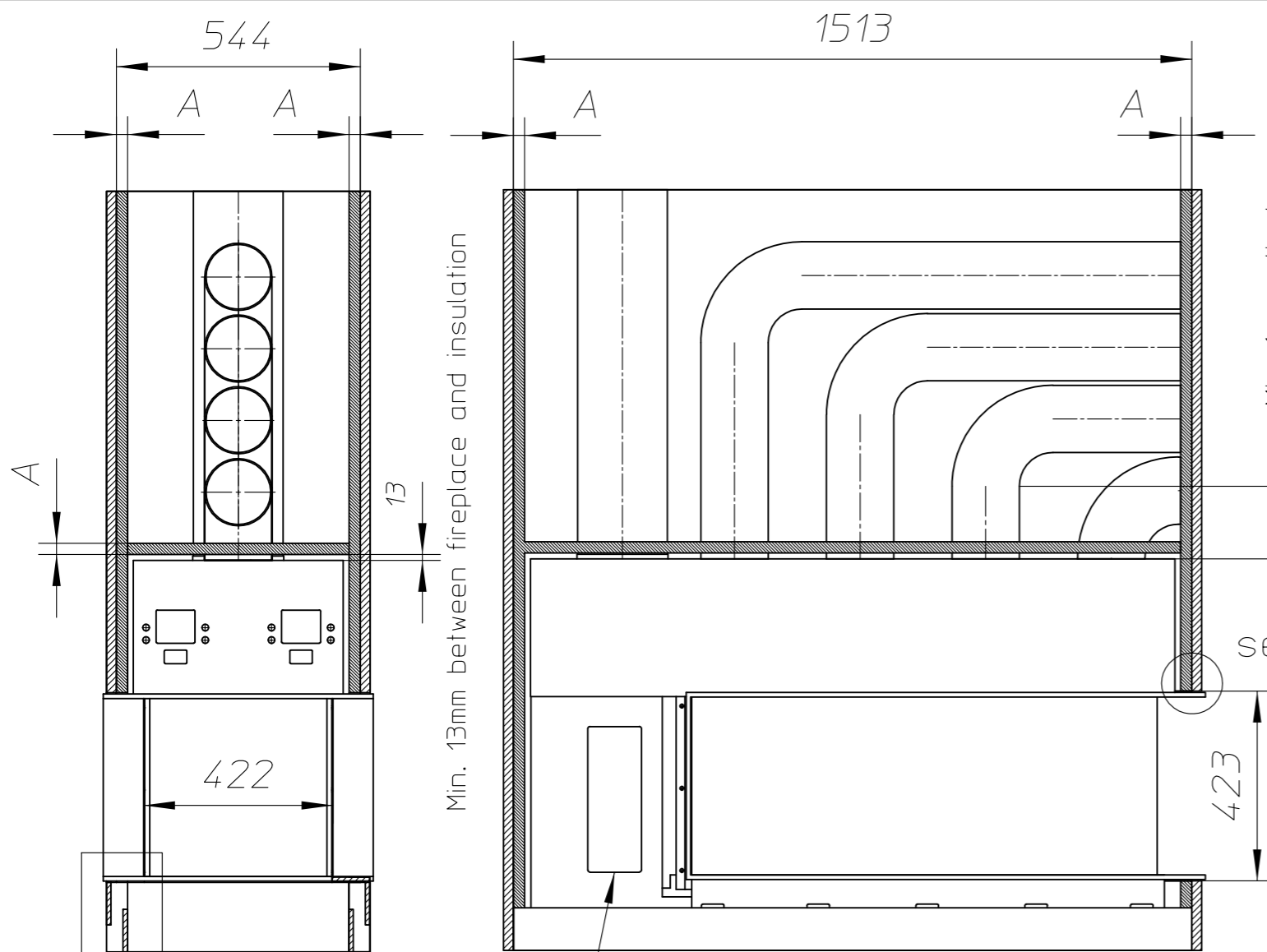
scale 1:20

www.metalfire.eu

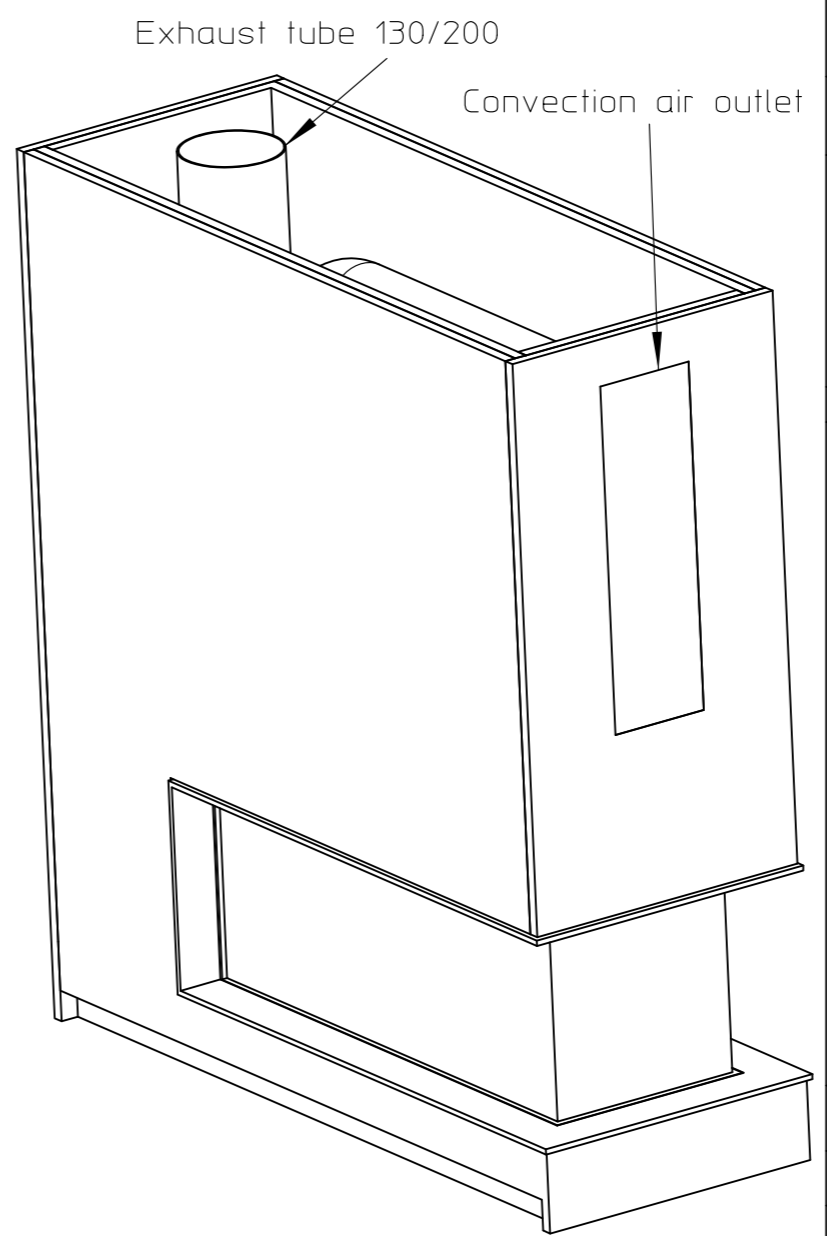
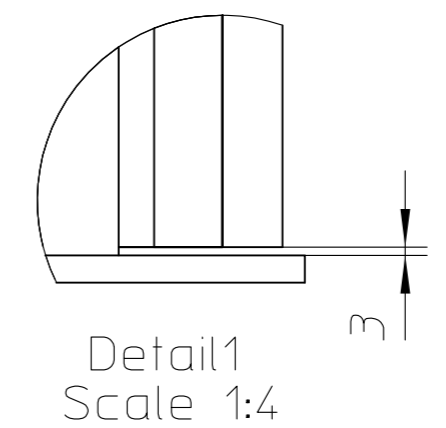
EN 613

General dimensional tolerances up to 6mm
Metalfire preserves the right to modify specifications without previous notice


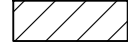
Rev.
B
CE
Sheet
2/3



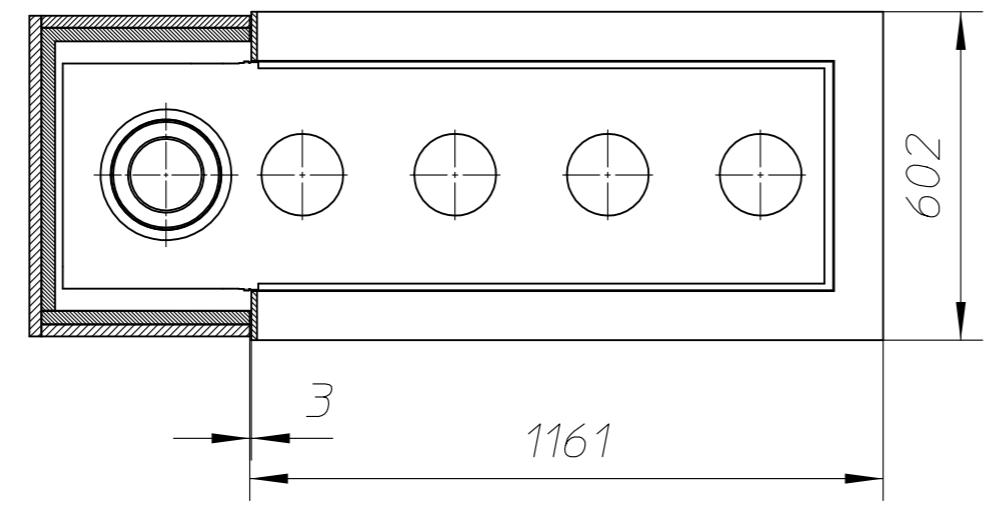
WITH FINISHING FRAME 90/10



Detail2
Scale 1:10

 Insulation
 Combustable finish material
 Insulation thickness --> see table

Electrical/gas control unit
FORSEE ENOUGH AIR FLOW FOR COOLING



AVENUE Patented

metalfire

Technical Document

AVENUE MF 1050-40 GHE 3S EXT

Prescribed insulation thickness (mm)

Combustable finishing material

Metalfire recommended
Promasil 1100L
(TC=0.081 W/mK)

A=25mm

Non-Combustable finishing material

Non-combustable
materials
Structural building items
EXCLUDED e.g
load bearing walls

A=0mm

TC=Thermal conductivity

First aid and technical support:
- support@metalfire.eu
- +32 (0)9 261 50 57

scale 1:20

www.metalfire.eu

EN 613

General dimensional tolerances up to 6mm
Metalfire preserves the right to modify specifications without previous notice

Rev.
B

CE

Sheet
3/3